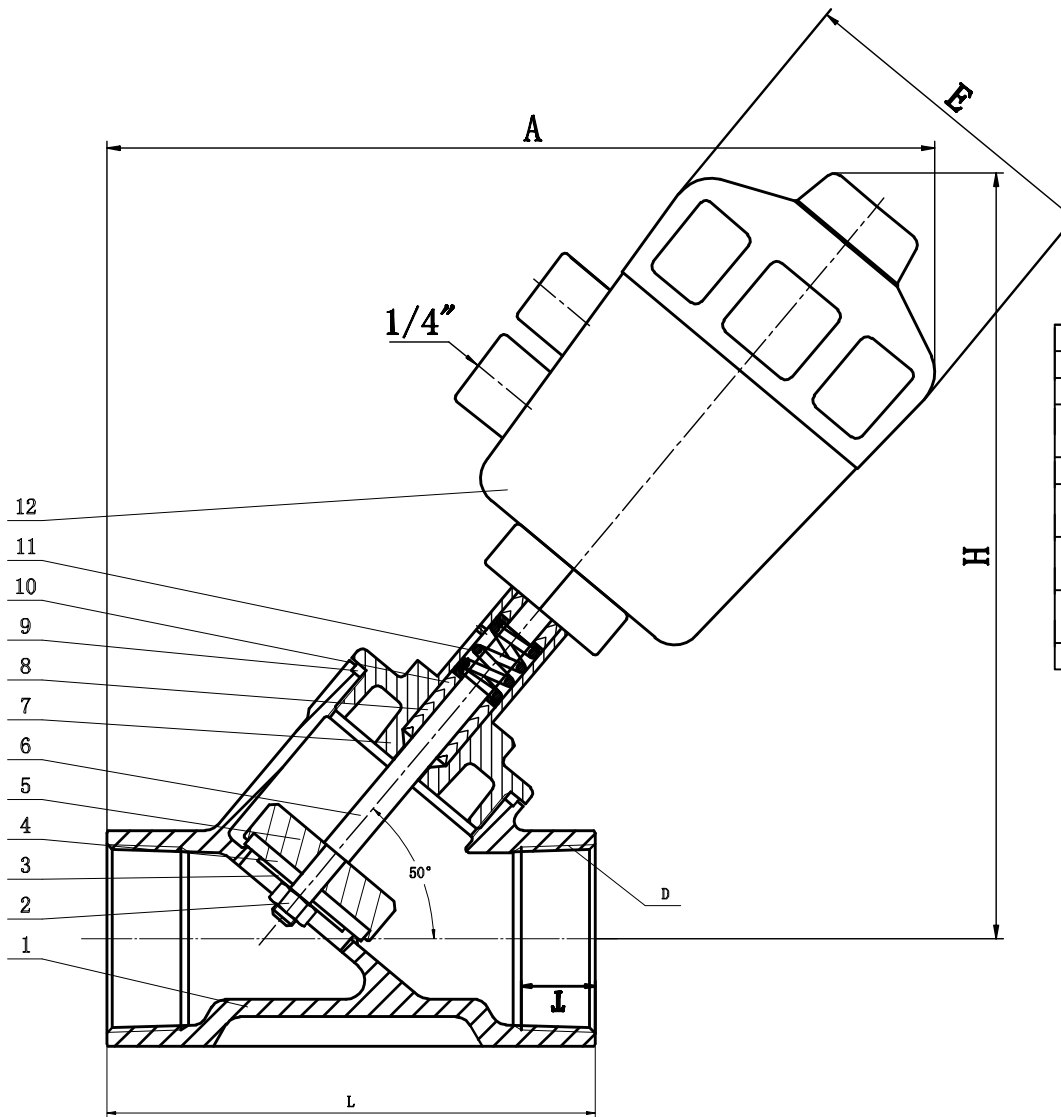


MT-Q5



Technical parameters

Medium temperature	-20° C~+180° C
Ambient temperature	-20° C~+60° C
Nominal pressure	1.6MPa
Control gas	gas or air
Air pressure	0.3MPa~0.8MPa
Seal material In cylinder	NBR/FKM

Size	L	T	D	A	H	E	Actuator
15	85	14	1/2	180	140	65	ø50
20	95	14	3/4	185	145	65	ø50
25	100	18	1	190	155	65	ø50
	100	18	1	220	185	80	ø63
32	116	18	1 1/4	230	188	80	ø63
	130	18	1 1/2	235	195	80	ø63
40	130	18	1 1/2	228	215	100	ø80
	145	20	2	250	205	80	ø63
50	145	20	2	268	225	100	ø80
	182	24	2 1/2	285	260	100	ø80
65	182	24	2 1/2	325	320	126	ø100
	205	28	3	335	330	126	ø100

No.	Name	Material
12	Plastic head pneumatic device	PPS
11	Spring	60Si2Mn
10	Metal pads	304
9	Body Seal	PTFE
8	Stem Seal	PTFE
7	Connecting Piece	CF8/CF8M
6	Stem	304/316
5	Valve Core	304/316
4	Seat	PTFE
3	Gasket	304/316
2	Nut	304/316
1	Body	CF8/CF8M

ZHEJIANG MINTN VALVE CO., LTD.

Describe Pneumatic Angle Seat Valve

Model MT - Q 5

Web www.mintn.com

TEL +86-577-55558668