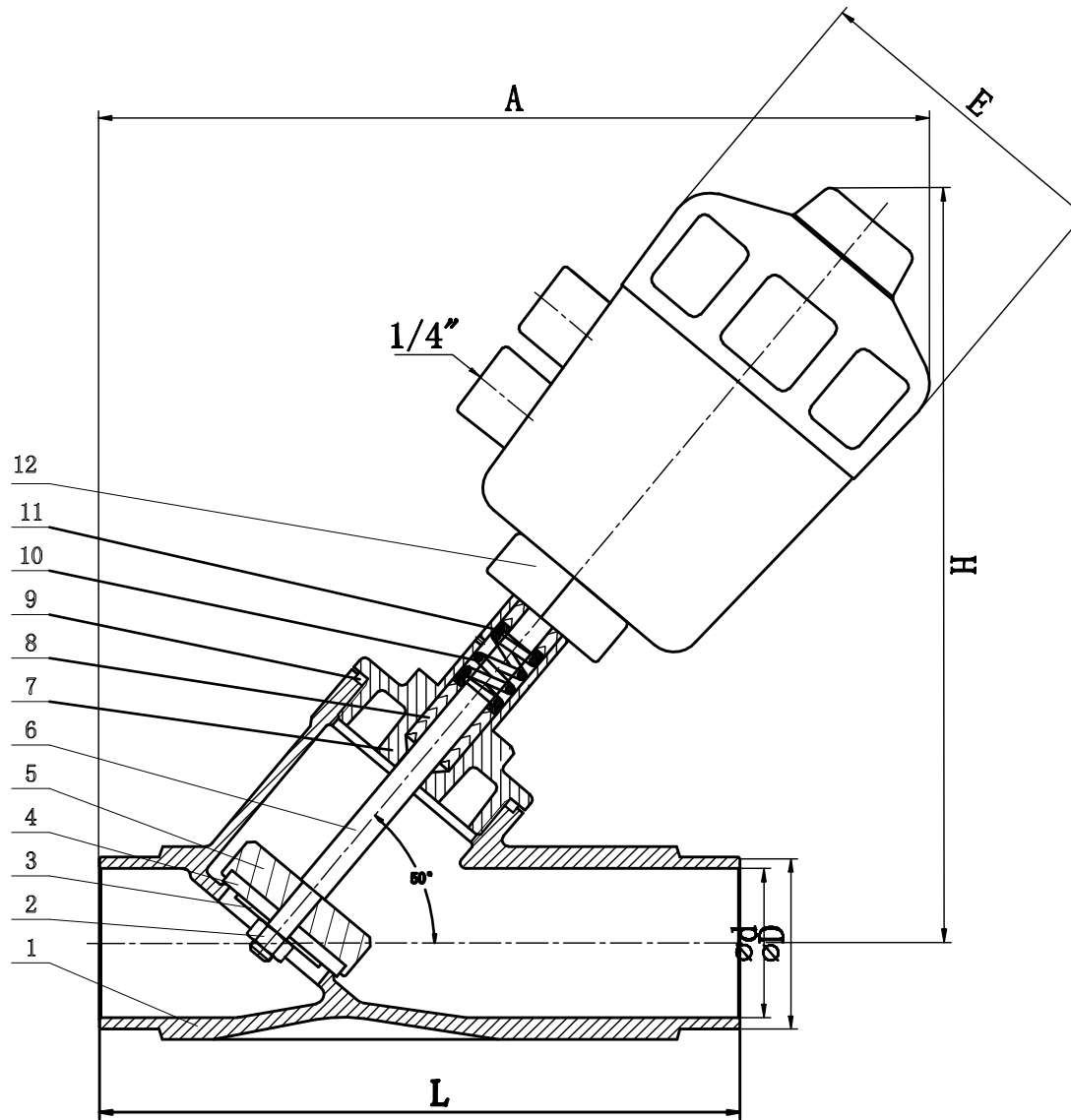


MT-H5



Technical parameters

Medium temperature	-20° C~+180° C
Ambient temperature	-20° C~+60° C
Nominal pressure	1.6MPa
Control gas	gas or air
Air pressure	0.3MPa~0.8MPa
Seal material in cylinder	FKM

SPECIFICATION

Size	Interface size	L	D	B	A	H	R
15	ø50	123	19	15	175	145	64
20	ø50	130	24	20	185	148	64
25	ø50	147	30	25	185	158	64
25B	ø63	147	30	25	210	190	80
32	ø63	156	37	32	220	192	80
40	ø63	184	45	40	225	198	80
50	ø63	199	56	50	235	210	80
50B	ø80	199	56	50	255	228	100
65	ø80	226	77	69	300	250	100
65B	ø100	226	77	69	335	300	127
80	ø100	247	90	82	355	313	127

No.	Name	Material
12	Plastic head pneumatic device	PPS
11	Spring	60Si2Mn
10	Metal pads	304
9	Body Seal	PTFE
8	Stem Seal	PTFE
7	Connecting Piece	CF8/CF8M
6	Stem	304/316
5	Valve Core	304/316
4	Seat	PTFE
3	Gasket	304/316
2	Nut	304/316
1	Body	CF8/CF8M

ZHEJIANG MINTN TECHNOLOGY CO., LTD.

Describe	Pneumatic Angle Seat Valve
Model	M T - H 5
Web	www.mintn.com
TEL	+86-577-55558668