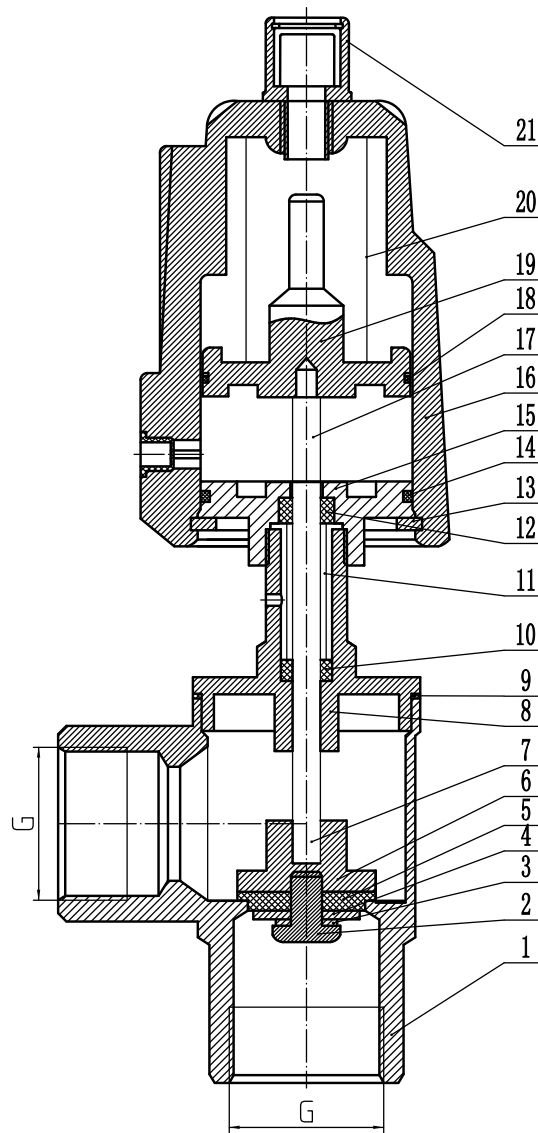
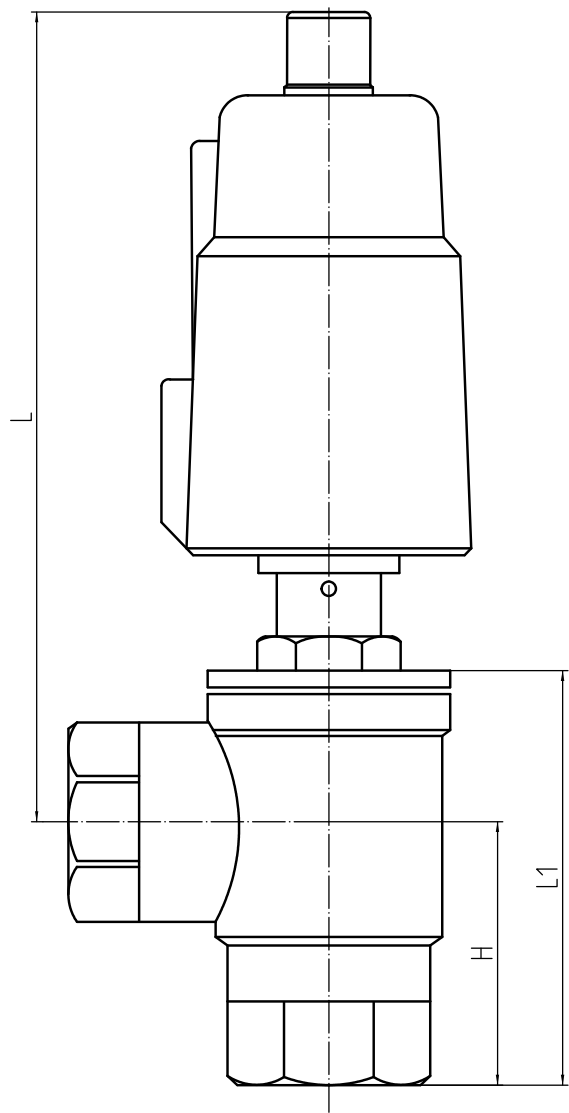


ZED-1W



Technical parameters

Medium temperature	-10°C~+200°C
Ambient temperature	-10°C~+100°C
Nominal pressure	1.6MPa
Control gas	gas or air
Air pressure	0.3MPa~0.8MPa
Seal materia In cylinder	NBR/FKM

DN	H	L	L1	G
DN15	48	162	81	1/2"
DN20	48	162	81	3/4"
DN25	56	178	93	1"
DN32	77	210	122	1 1/4"
DN40	77	210	122	1 1/2"

No.	Name	No.	Name
11	Spring		
10	V Sealing	21	Observation Window
9	Seal Ring	20	Spring
8	Connecting Piece	19	Piston
7	Peg	18	O Ring
6	Diskt	17	Stem
5	Seal Disk	16	Cylinder
4	Gasket	15	Cylinder Cover
3	Locking Gasket	14	O Ring
2	Hexagon Bolt	13	Stop Collar
1	Body	12	V Sealing

ZHEJIANG MINTN VALVE CO., LTD.

Describe	Pneumatic Angle Straight Valve
Model	M T - Q 3 Z
Web	www.mintn.com
Contact	+86-577-55558668