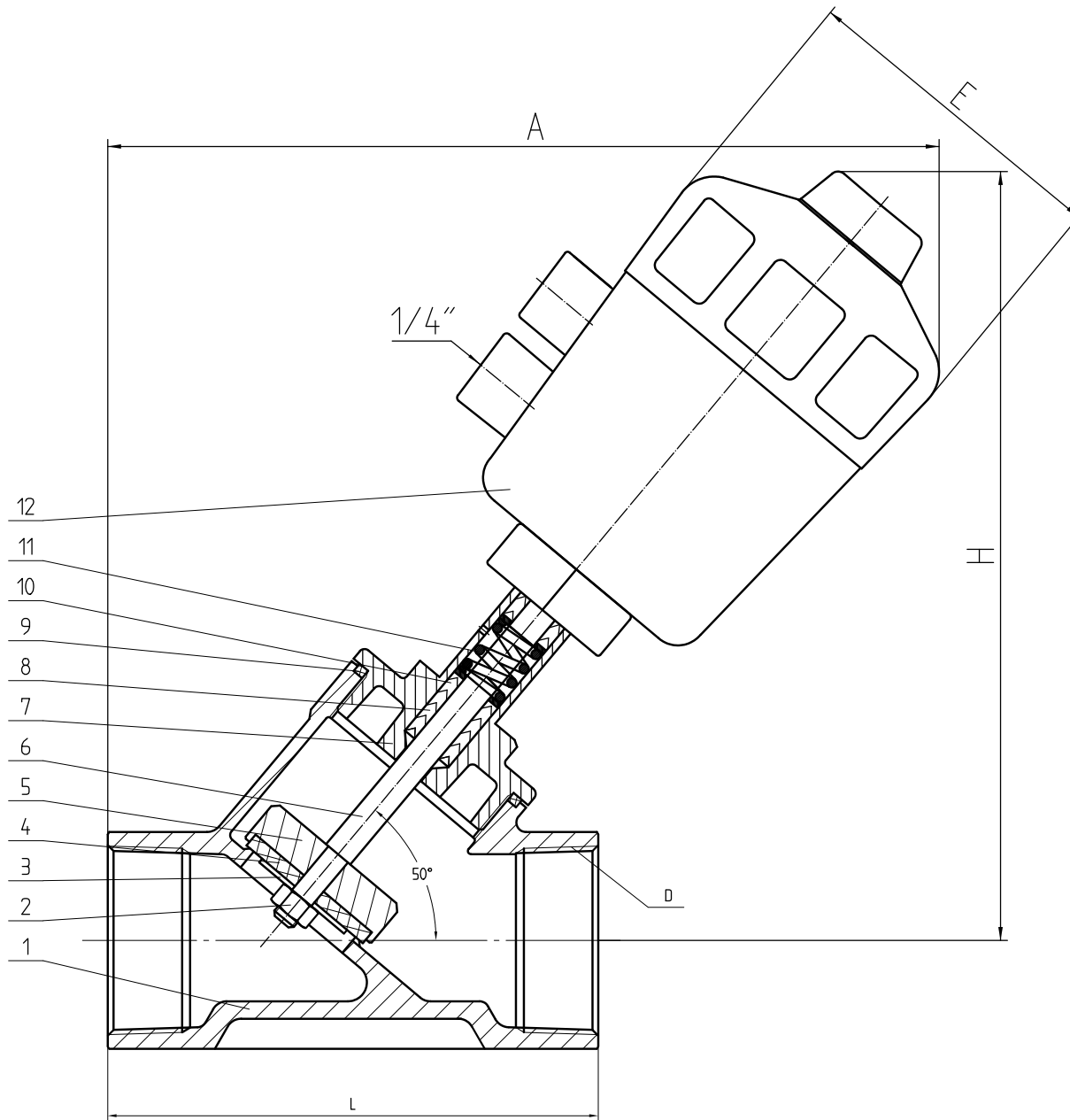


MT-Q5



Technical parameters

Medium temperature	-20°C~+180°C
Ambient temperature	-20°C~+60°C
Nominal pressure	1.6MPa
Control gas	gas or air
Air pressure	0.3MPa-0.8MPa
Seal materia In cylinder	NBR/FKM

Size	L	D	A	H	E	Actuator
10	65	3/8"	165	120	64	φ50
15	85	1/2"	172	137	64	φ50
20	95	3/4"	178	145	64	φ50
25	105	1"	210	165	64	φ50
32	120	1 1/4"	220	180	80	φ63
40	130	1 1/2"	228	190	80	φ63
50	150	2"	268	245	100	φ80
65	185	2 1/2"	282	300	100	φ80
80	220	3"	368	340	126	φ100
100	235	4"	420	395	156	φ125

No.	Name	Material
12	Plastic head pneumatic device	PPS
11	Spring	60Si2Mn
10	Metal pads	304
9	Body Seal	PTFE
8	Stem Seal	PTFE
7	Connecting Piece	CF8/CF8M
6	Stem	304/316
5	Valve Core	304/316
4	Seat	PTFE
3	Gasket	304/316
2	Nut	304/316
1	Body	CF8/CF8M

ZHEJIANG MINTN VALVE CO., LTD.

Describe	Pneumatic Angle Seat Valve
Model	M T - Q 5
Web	www.mintn.com
TEL	+86-577-55558668