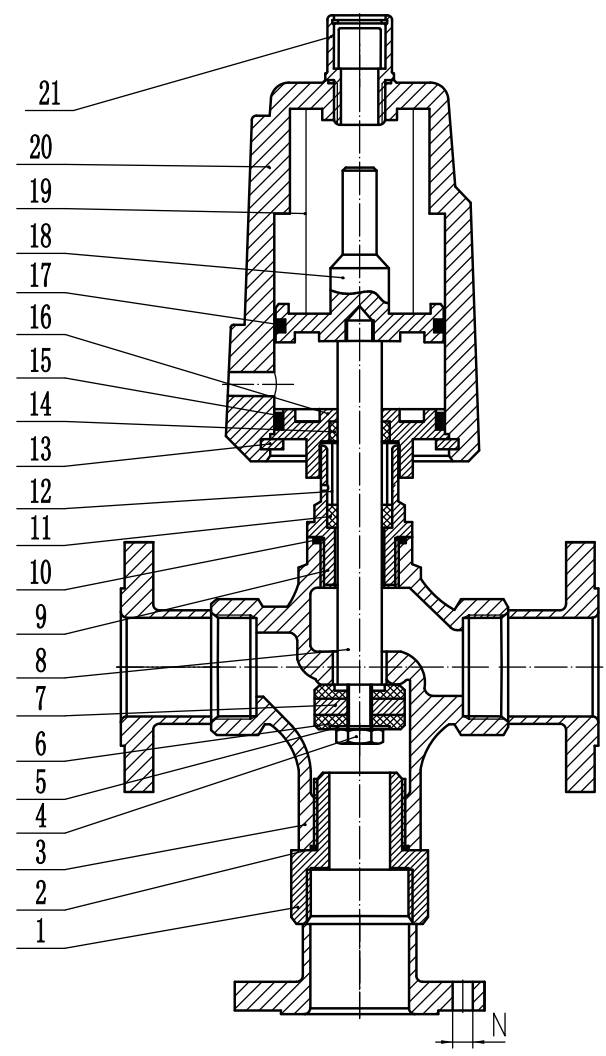
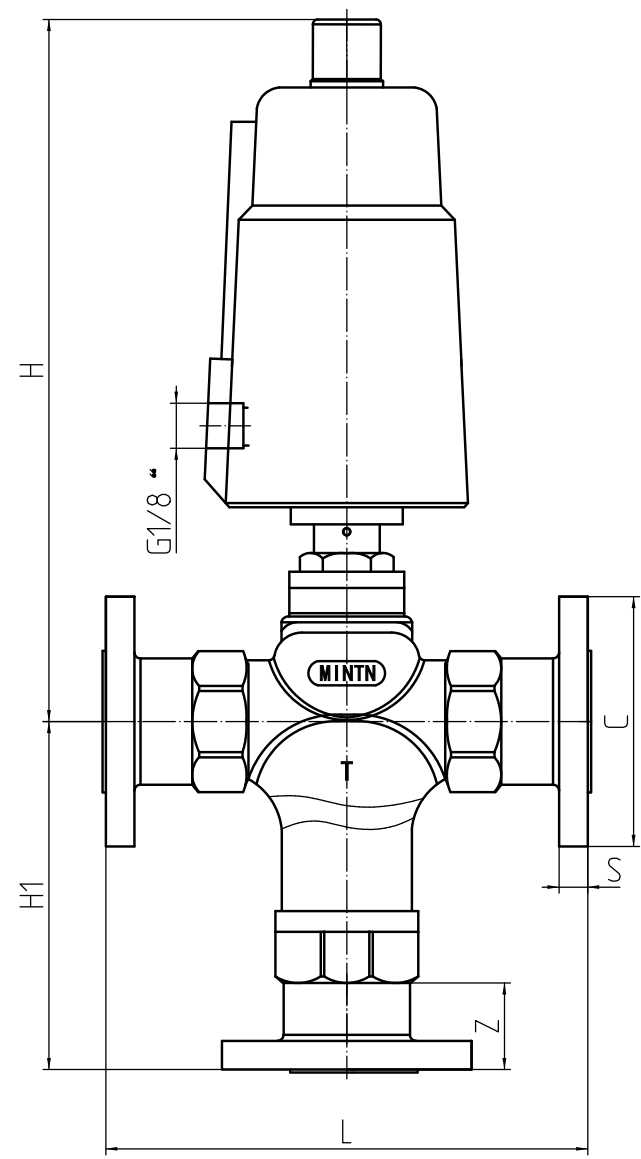
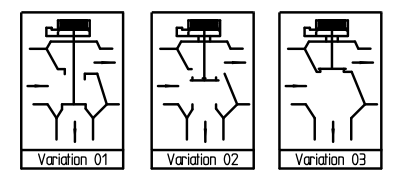


M T - F 3 S

Technical parameters	
Medium temperature	-10°C~+200°C
Ambient temperature	-10°C~+60°C
Nominal pressure	1.6MPa
Control gas	gas or air
Air pressure	0.4MPa-0.6MPa
Seal materia In cylinder	NBR/FKM



DN	H	H1	L	S	C	N
DN15	172	78	139	16	95	14x4
DN20	172	79	141	16	105	14x4
DN25	180	100	159	18	115	14x4
DN32	232	122	195	18	135	16x4
DN40	232	122	195	20	145	18x4



No.	Name	No.	Name
11	V Sealing		
10	Seal Ring	21	Observation Window
9	Connecting Piece	20	Cylinder
8	Stem	19	Spring
7	Disk	18	Piston
6	Gasket seal	17	O Ring
5	Flange Plate	16	Cylinder Cover
4	Lock Nut	15	O Ring
3	Body	14	V Sealing
2	Seal RING	13	Stop Collar
1	VALVE BONNET	12	Spring

**ZHEJIANG MINTN VALVE CO., LTD.**

Describe	PNEUMATIC THREE-WAY VALVE
Model	M T - F 3 S
Web	www.mintn.com
Contact	+86-577-55558668